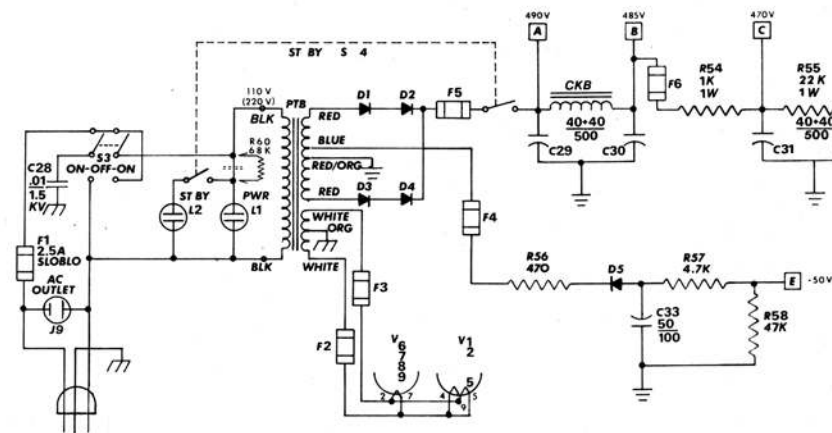


BOTTOM VIEW
TUBE LAYOUT

1. ALL RESISTORS 1/2W - 10% EXCEPT AS NOTED.
2. ALL CAPACITORS ARE 400V. EXCEPT AS NOTED, VALUES IN MFD.
3. 220V., R60 AND F2-6 USED ON C.E.E. VERSIONS ONLY.
J9 IS OMITTED ON C.E.E. VERSION.
4. ALL VOLTAGES MEASURED TO GROUND WITH VTVM ±10%, NO INPUT.
5. ARROW (↻) INDICATES C.W. ROTATION
6. POINTS C,D,E,L...XX INDICATE WIRES LEAVING P.C. BOARDS

VI-2 -7025

- V5 -12AT7 / ECC81
- V6-9 -6L6GC
- D1-4 -IN4007
- D5 -IN4001



REVISIONS		
LTR.	DESCRIPTION	DATE

Rickenbacker

SCALE: _____ APPROVED BY: *J. Hall* DRAWN BY: _____
 DATE: SEP 12, 74 REVISED: _____

B SERIES BASS AMP

201 E. STEVENS, SANTA ANA, CA. 92707 DRAWING NUMBER: B3S