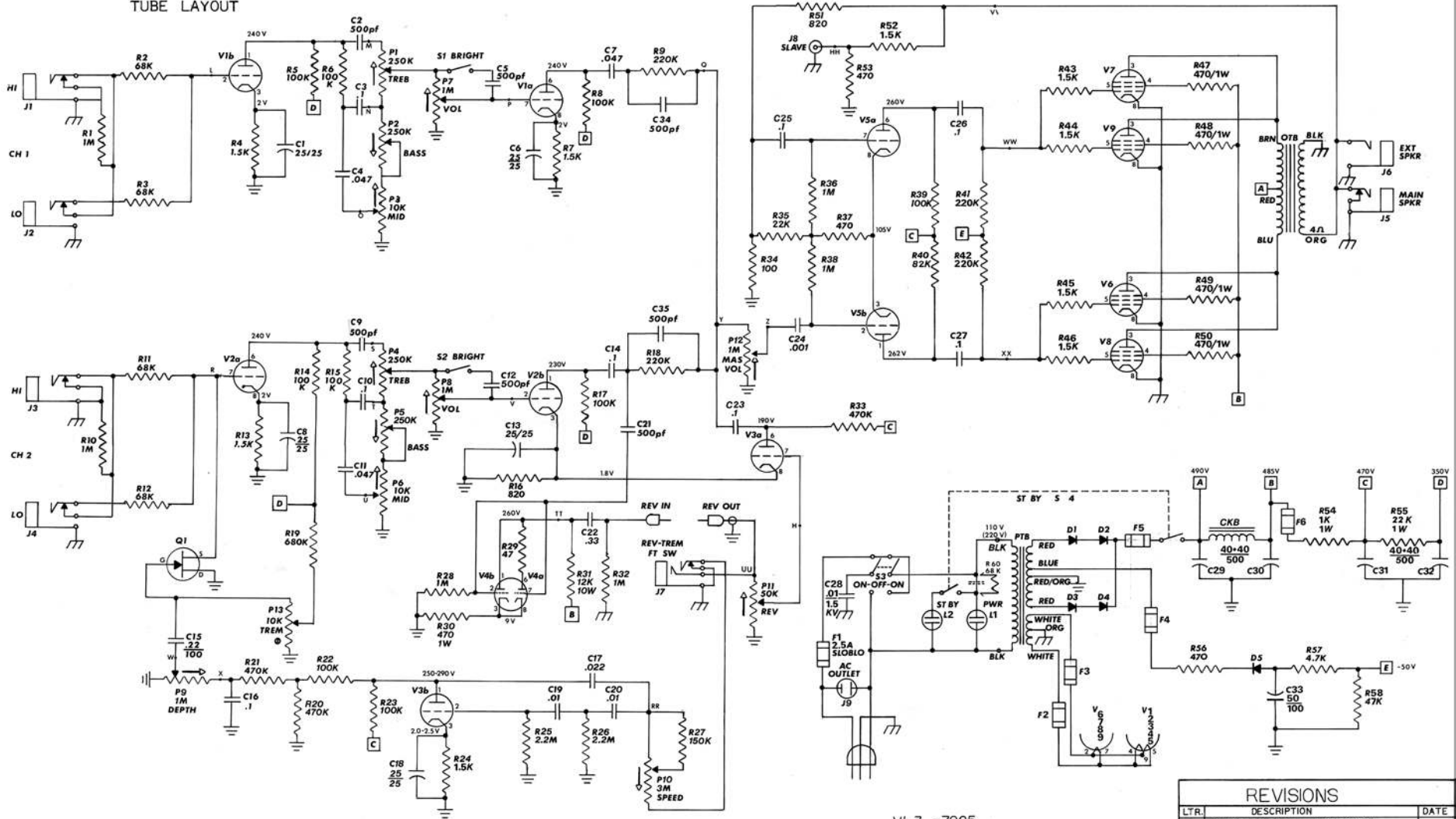


BOTTOM VIEW
TUBE LAYOUT



1. ALL RESISTORS 1/2W - 10% EXCEPT AS NOTED.
2. ALL CAPACITORS ARE 400V. EXCEPT AS NOTED, VALUES IN MFD.
3. 220V, R60 AND F2-6 USED ON C.E.E. VERSIONS ONLY.
J9 IS OMITTED ON C.E.E. VERSION.
4. ALL VOLTAGES MEASURED TO GROUND WITH VTVM ±10%, NO INPUT.
5. P13 IS ADJUSTED FOR OPTIMUM TREMOLO.
6. POINTS C,D,E,L...XX INDICATE WIRES LEAVING P.C. BOARDS
7. ARROW (↻) INDICATES C.W. ROTATION

- VI-3 -7025
- V4 -12AU7A / ECC82
- V5 -12AT7 / ECC81
- V6-9 -6L6GC
- D1-4 -IN4007
- D5 -IN4001
- Q1 -2N5461

REVISIONS

LTR.	DESCRIPTION	DATE
B	CHANGE C2, C9, R55. ADD C34, C35.	
C	CHANGE VOLTAGES.	6-20-74
	CHANGE C4, C11, P3, P6, R58. ADD R60	9-20-74

Rickenbacker

SCALE: _____	APPROVED BY: _____	DRAWN BY: _____
DATE: JAN 15, '74	REVISION: _____	
B SERIES GUITAR AMP		
201 E. STEVENS, SANTA ANA, CA. 92707		DRAWING NUMBER B2S