

NOTES:

1. ALL RESISTORS ARE 1/2 W UNLESS OTHERWISE STATED
2. ALL CAPACITORS ARE IN M.F.D
3. ALL ELECTROLYTICS ARE 25V

TRANSISTORS

Q1 MPSA10
 Q2 2N5401
 Q3,5 2N5088
 Q4 2N5089
 Q6 MPS456

DIODES

CR1,2 1N4002
 CR3 1N5248

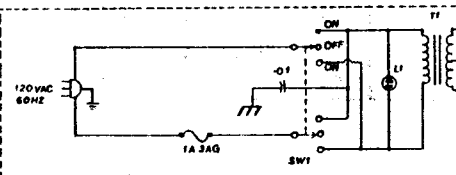
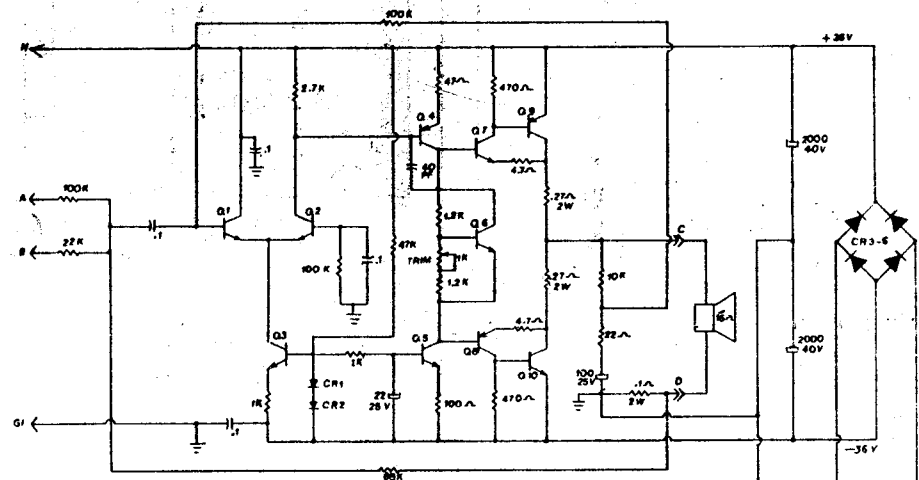
PRE-4A

NOTES:

1. ALL RESISTORS ARE 1/2 W UNLESS OTHERWISE NOTED
2. ALL CAPACITORS ARE IN M.F.D

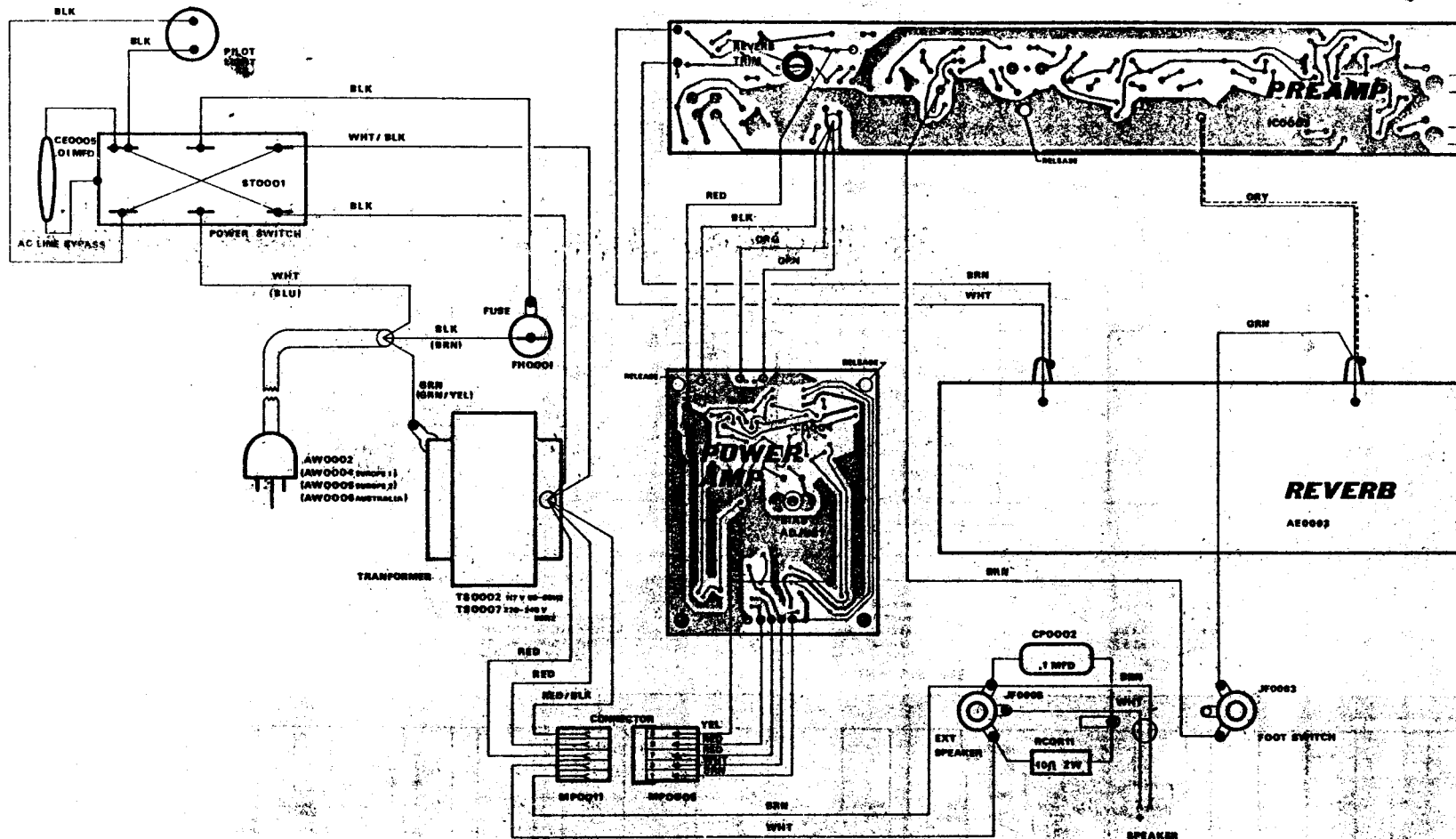
TRANSISTORS

Q1,2 MPSA10
 Q3,5 MPSA06
 Q4 MPSA56
 Q6 2N5088
 Q8 NJE8982 OR TIP42B
 Q10 NJE8984 OR TIP41B
 CR1-5 INT'L RECT. 3052
 CR1,2 1N4002
 Q7 MPS406 OR PU06
 Q8 MPS406 OR PU06



TR 25 PA

RICKENBACKER	
Model: NONE	Rev: T.S.E.
Date: 8-18-79	
MODEL TR 25	
GUITAR AMPLIFIER	



RICKENBACKER
TR25 Wiring
 AE0003